

PDC-WP240

24" Medical-Grade LCD Monitor



Features

- Wide 24" screen with Full HD 1920 x 1080 resolution
- Professional 2.3-megapixel color LCD monitor
- Pre-set DICOM, switchable to Gamma 2.2
- Supports USB hub function and AC power input
- Medical-grade device with IP54 rating
- PCAP touchscreen (optional)

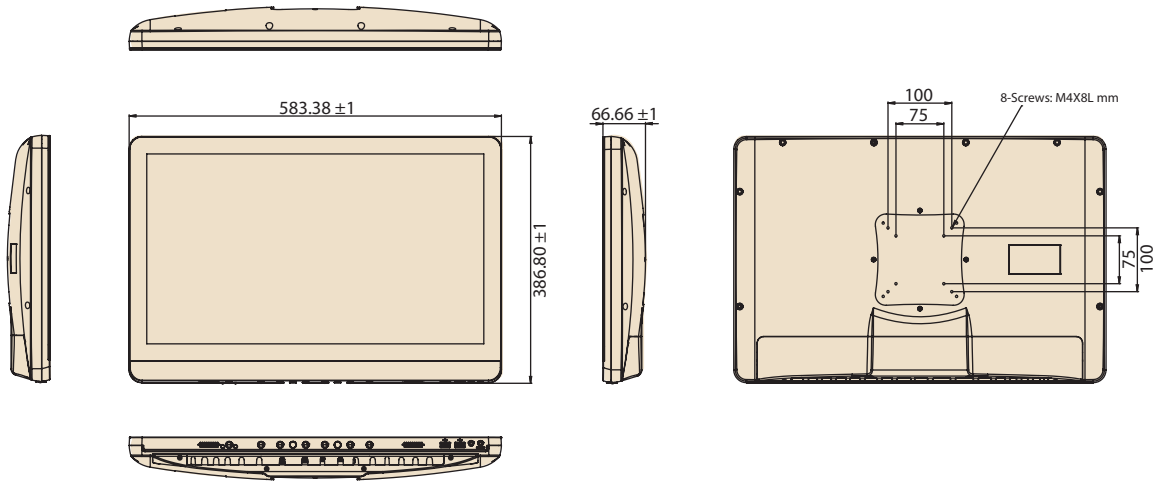


Specifications

Display	Display Type	23.8" wide TFT color LCD (16:9)
	Type	IPS
	Max. Resolution	1920 x 1080
	Max. Colors	16.7 M colors (6-bits+A-FRC)
	Pixel Pitch (mm)	0.2745 x 0.2745
	Contrast Ratio	1000:1 (Typ.)
	Luminance	250 cd/m ² (Typ.)
	Viewing Angle (H/V)	178/178°
	Response Time	25ms (Typ., on/off)
	Backlight	LED
LCD MTBF	30,000 Hours	
I/O Ports	HDMI	1
	DP	1
	DVI	1
	VGA	1
	P-cap USB (Type B)	1 (Upstream port)
	USB	USB 2.0 x 2 (Downstream Port)
	Audio out	1
	Speaker	Left/ Right
Optional Functions	DICOM	Compatible to DICOM Part 14
Optional Touch Screen	Type	Full-Flat Projected Capacitive 10-points (AR)
	Light transmission	90%
	Controller	USB interface
	Durability	>100 million touches
Power Supply		Internal ATX power supply
	Input voltage	100 ~ 240 V _{AC} , 1.3/0.7A max. @ 50-60Hz universal
Power Consumption		30 W
Environment	Temperature	0 ~ 40° C (Operating)
	Humidity	10 ~ 95% @ 40° C (non-condensing)
	Vibration /Shock Resistance	5 ~ 500 Hz, 1G acceleration / 30G half sine, 11 ms duration
	Water/dust Resistance	IP54 for whole system
Physical Characteristics	Dimensions (W x H x D)	583 x 386 x 66 mm (22.95" x 15.19" x 2.60")
	Weight	7.5 kg
	Mounting	VESA 100 x 100 mm/ 75 x 75 mm

Dimensions

Unit: mm



Order Information

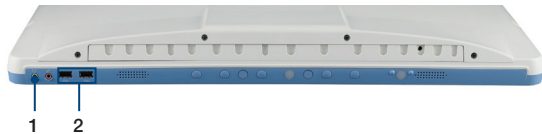
Part Number	Touch Panel	Adapter & Cable
PDC-WP240-A10-ATE	Yes	AC cable
PDC-WP240-A10-AGE	No	AC cable

Accessories

Part Number	Description
PDC-W215-STAND-H3E	PDC-W215 STAND_H3-741L type_6~12kg Black
1700001524	Power Cable(USA) 1.8M
170203183C-01	Power Cable (Europe) 1.8M
170203180A-01	Power Cable (UK) 1.8M

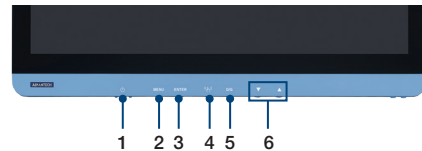
I/O Ports

Front



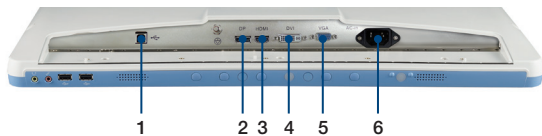
- (1) Audio Out
- (2) 2 USB 2.0

Front Function Keys



- (1) Power
- (2) Menu
- (3) Enter
- (4) Touchscreen Status Control
- (5) Color Mode
- (6) Down/Up

Rear



- (1) P-cap USB (Type B)
- (2) DP port
- (3) HDMI input port
- (4) DVI port
- (5) VGA port
- (6) Power AC-in